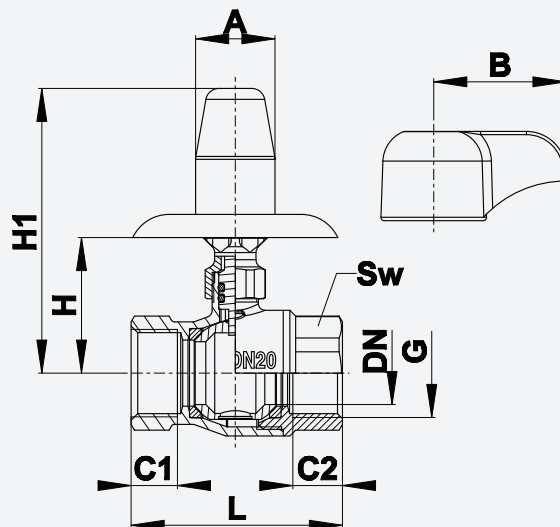


Krogelni ventil podometni / Kuglasti ventil podžbukni

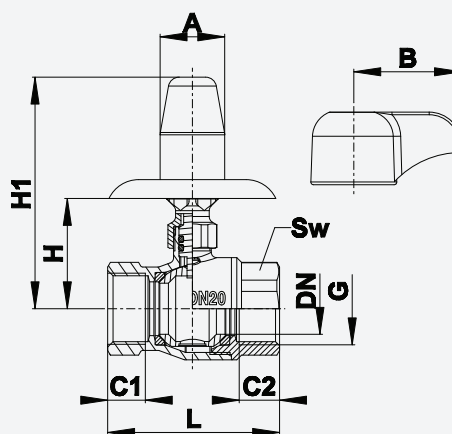
# KV 202 - KV 203



art.	ident	EAN	DN	PN	G	C1	C2	L	A	H	H1	Sw		
KV 202	1229210	3830002820835	15	16	1/2"	15	13	59	24	25-40	85,1	25	0.230	25
KV 203	1239210	3830002820859	20	16	3/4"	15	15	65	24	30-45	86,1	32	0.345	25

T = -10 °C...90 °C (voda 0,5°C do 90°C)

# KV 212 - KV 213



art.	ident	EAN	DN	PN	G	C1	C2	L	B	H	H1	Sw		
KV 212	1228210	3830002820873	15	16	1/2"	15	13	59	40	25-40	76,7	25	0.240	25
KV 213	1238210	3830002820897	20	16	3/4"	15	15	65	40	30-45	80,2	32	0.355	25

T = -10 °C...90 °C (voda 0,5°C do 90°C)